

TANVO

STEAM STERILIZER



WOSON MEDICAL INSTRUMENT CO.,LTD.

Add: NO.25, Lane 300, Jinshan Road, Jiangbei District, Ningbo 315032, China

Tel: 86-574-8302 2668

Fax: 86-574- 8763 9376

E-mail: overseas@woson.com.cn

Web: www.wosongroup.com



© WOSON. All right reserved.

This Booklet For Information Printed Publicity Materials, We Reserve The Right To Update The Product Design And Specification, The Product In Kind Prevail, WOSON Medical Instrument Co., LTD. All Rights Reserved!

Willing To Smile

TANVO 2.0

STEAM STERILIZER



KEEP ONE STEP AHEAD

Compared with the previous generation product, it still has a super capacity of 45L after reducing the volume by 14%

Optimized product size, reduced body length by 122mm, occupies a smaller space and can be loaded on the clinic commonly used 60cm desktop

Optimized internal layout, more compact and reasonable layout helps maintain the ease of maintenance and repair

14%↓

14% Less Space Occupied

122↓
mm

122mm Length Reduced

Technical Parameters

Model	Voltage/Power	Chamber Size	Outside Size	Packing Size	Net Weight
TANVO 45L	220V/2800W	Φ 325X623mm	758X640x580mm	848X720X710mm	90kg
TANVO Petit 29L	220V/2800W	Φ 325X423mm	758X640x580mm	848X720X710mm	80kg



B-CLASS



5-layer Chamber



100% Sterilization



High Precision

TANVO 2.0

STEAM STERILIZER



45L
Super Capacity

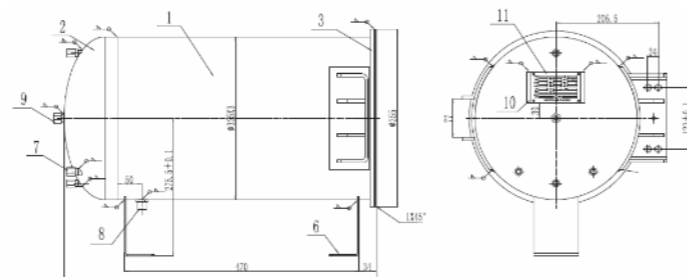


122mm
122mm Length Reduced

45L Super Capacity



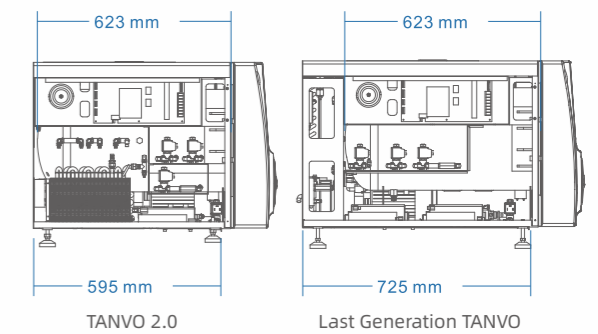
Inheriting the advantages of large cavity of the last generation TANVO 45L, while taking into account the safety and sterilization effect, it can meet the sterilization requirements of more and larger size articles at a single time, saving precious time for the clinic



Optimized Product Size



Optimized product size, reduced body length by 122mm, occupies a smaller space and can be loaded on the clinic commonly used 60cm desktop



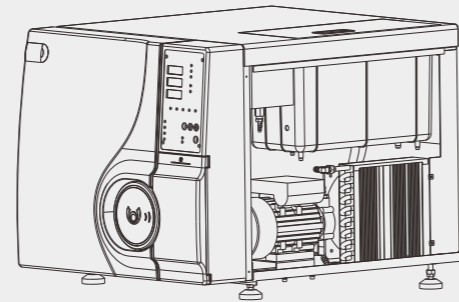
TANVO 2.0

STEAM STERILIZER

Optimized Internal Layout



Optimized internal layout, more compact and reasonable layout helps maintain the ease of maintenance and repair



Optimize The Heat Dissipation Structure



Double-side heat dissipation window design, get rid of the rear side against the wall is not conducive to heat dissipation dilemma

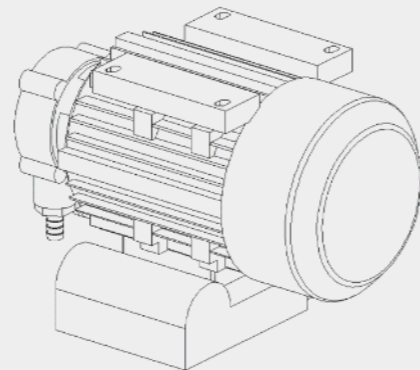


Water-circulating Pump



Through the water cycle, it is used not only as a vacuum generator, but also as a cooling medium for the motor

Lower working temperature, Lower noise
higher vacuum value, no oil and no pollution, all above lead to a longer service life



Automatic Electronic Door Lock



High-torque motor
Self-priming door lock
Noise-free, safe and reliable



Double Steam Generator



Because of the increase of volume, a double steam generator is equipped to separate the unvaporized water vapor, to ensure the vaporization effect, and to continuously and quickly input the chamber



Informative Digital Display



Highlighted LED display screen, concise display of sterilization process each stage, graphical buttons provide more convenient operation

